

DIRECTA

Energizer

LED Retrofit 4.2W GU10

DS1028

Code:
975S14426



Product Overview

LED retrofit lamps are direct replacements for conventional incandescent, halogen, and compact fluorescent (CFL) lamps.

LEDs deliver higher lumens per watt (lm/W) which means significant energy savings while lasting more than ten times longer than incandescent sources. With their directional light, instant on and ability to dim, LEDs are fast becoming the light source of choice.

Features

- More eco-valued.
- Excellent optical design, alike COB appearance.
- Reliable IC solution, automatic production.

Safety and Maintenance

- Switch off supply before installing or removing lamp.
- Allow to cool before handling.
- Do not use in totally enclosed fittings as this will reduce lamp life.
- Do not dispose of in household waste.
- Dispose of in appropriate section of local civic amenity site or recycling centre.

DATA SHEET

Specifications – GU10 Cap

SKU	S14426
Lamp Cap	GU10
Nominal Power (W)	4.2
Voltage	220-240Vac 50/60Hz
Current (mA)	37
Nominal Luminous Flux (lm)	380
CCT (K)	6500K Day Light
Nominal Lifetime (h)	15000
Dimmable	No
Switching Cycles	40000
Warm-up time to 60% (S)	1.00
Length (mm)	54
Diameter (mm)	50
Mercury (mg)	
Clean-up instructions	
Retrofit	Yes
Equivalent Wattage (W)	50
Rated Power (W)	4.2
Rated Luminous Flux (lm)	345
Rated Lifetime (h)	15000
Power Factor	0.50
Rated Peak Candelas (cd)	640
Lumen Maintenance Factor at	
Nominal Lifetime	15000
CRI	80
Start Time (s)	0.50
Ambient Temperature Range (°C)	-20 to 40

Energy Label – GU10 Cap

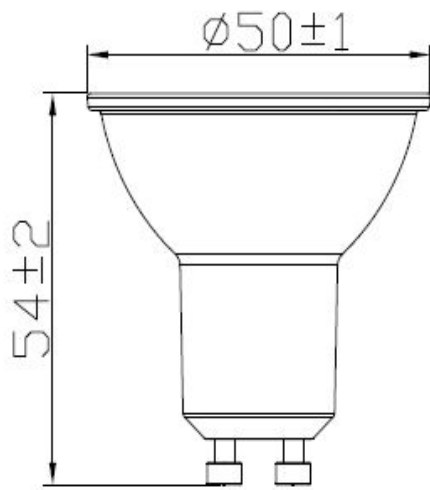
Energy Class	A+
Energy Consumption (kWh/1000h)	4.2 (4.2)*

* The kWh/1000h value published on the energy label is required to be rounded up to an integer according to the EU implementing directive on Energy Labelling. The value to 2 decimal places is given for reference.

Product Markings – GU10 Cap

Voltage	220-240Vac 50/60Hz
Nominal Power (W)	4.2
Current (mA)	37
CE Mark	Yes
WEEE Mark	Yes
Batch Code	Yes

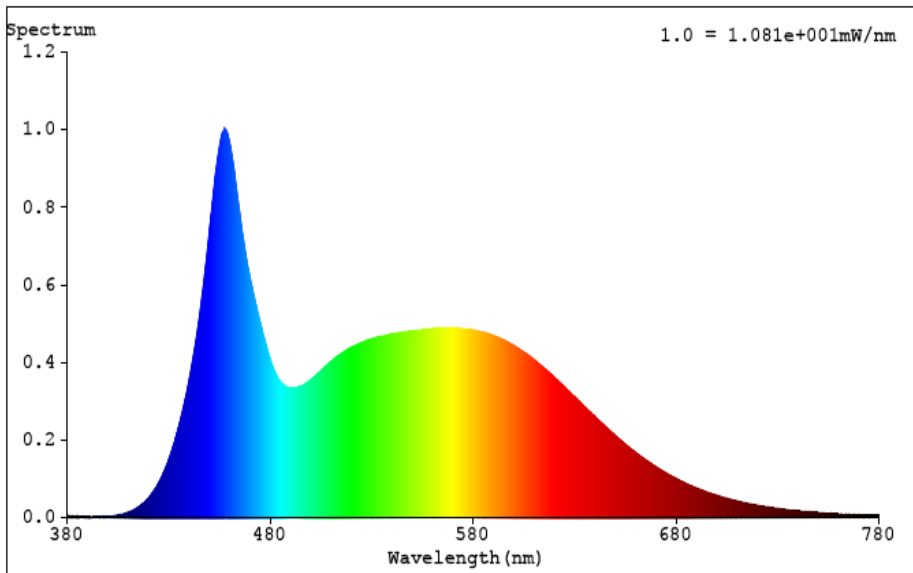
Dimensions



S14426

Photometric Information

6500K



Spectral Distribution